

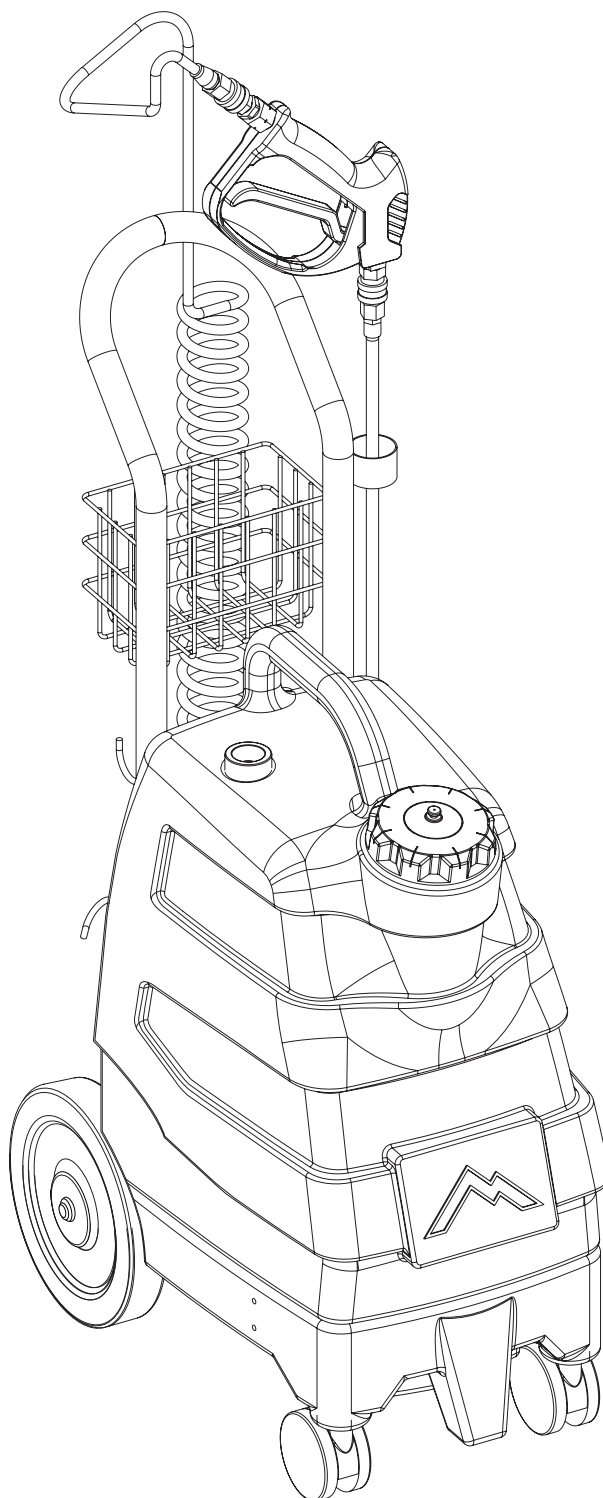
Instructions for 6002 Big B.O.S.S.™



Please read before use.



Register your product
at <http://www.mytee.com/support/register>



Set up p. 3
General information p. 6
Parts & pricing p. 8
Wiring diagram p. 10

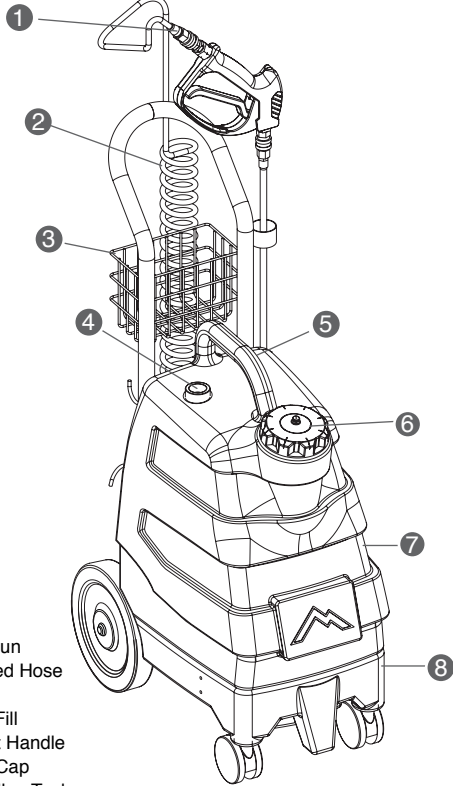
Model # _____

Serial # _____

Form # ADP-6002

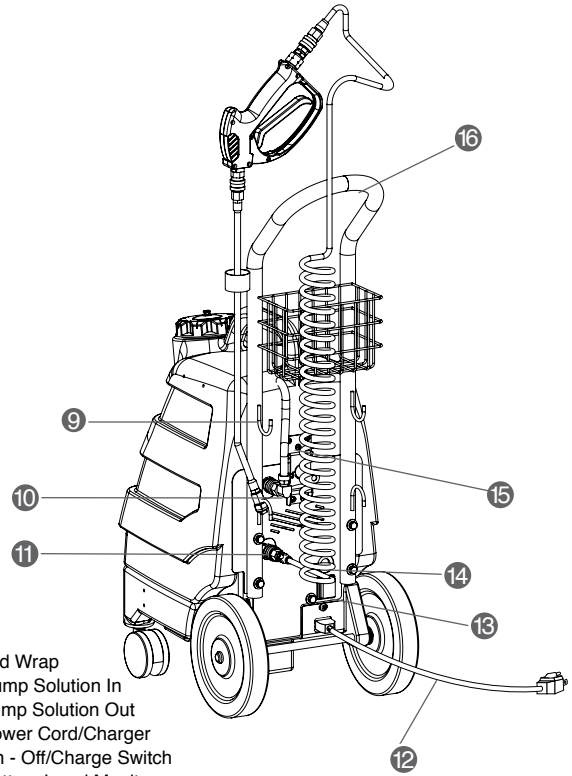
1-15

6002 FRONT



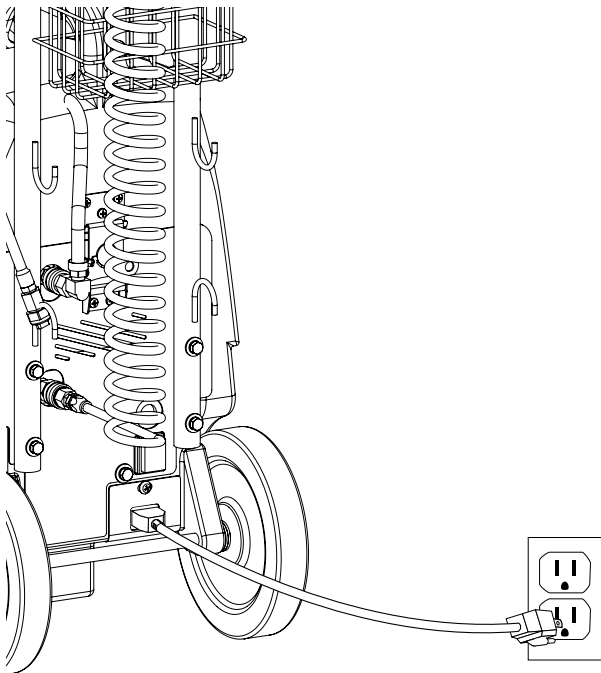
- 1. Spray Gun
- 2. 15' Coiled Hose
- 3. Basket
- 4. Faucet Fill
- 5. Tank Lift Handle
- 6. Vented Cap
- 7. Five Gallon Tank
- 8. Chassis

6002 BACK



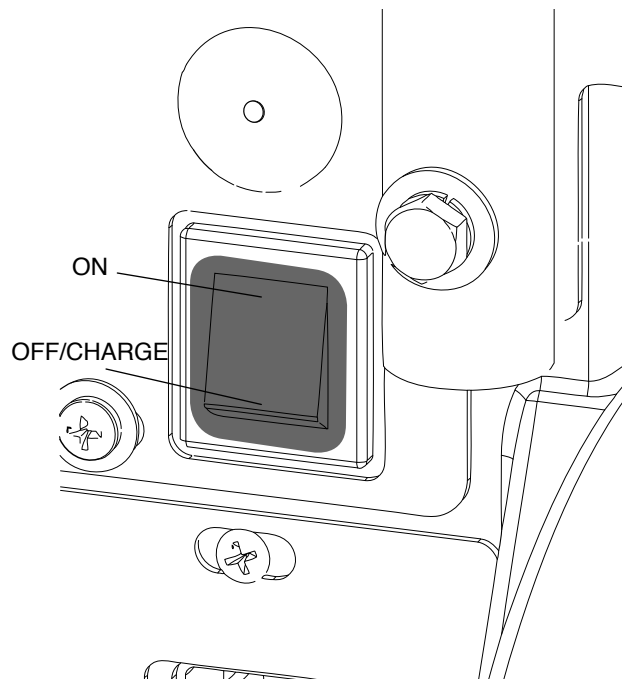
- 9. Cord Wrap
- 10. Pump Solution In
- 11. Pump Solution Out
- 12. Power Cord/Charger
- 13. On - Off/Charge Switch
- 14. Battery Level Monitor
- 15. Release Latch
- 16. Handle

6002 POWER CORD (CHARGER)



Insert power cord to charge or during use. Sprayer can also be used plugged in without draining battery.

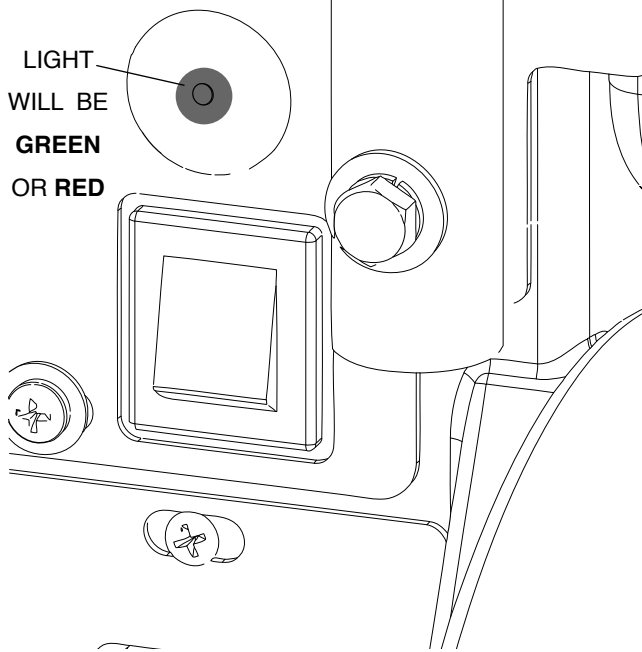
6002 ON - OFF/CHARGE



SWITCH POSITION
 On- To spray/operation.
 Off/Charge- To store/ To charge.

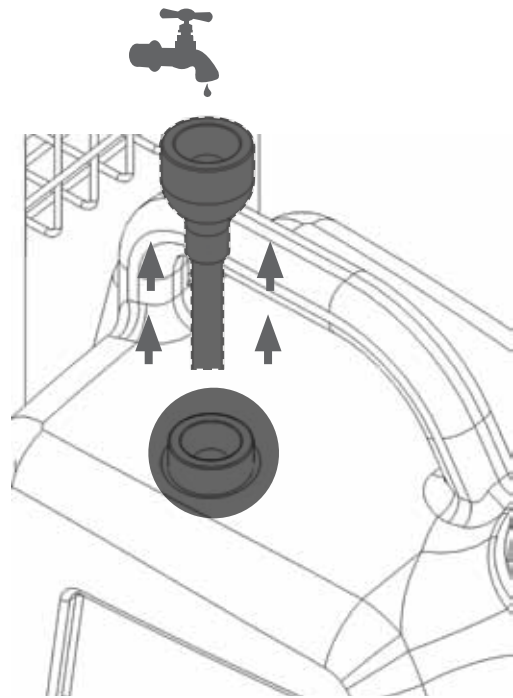
NOTICE
 Always store in OFF position.

6002 BATTERY / CHARGER



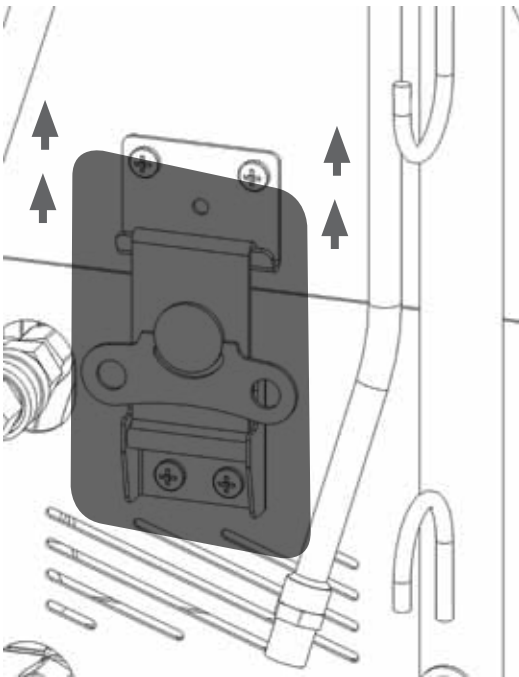
When the light is green, the battery has power. When light is red, the pump will shut off. Also turning off any access to the battery saving battery life.

6002 FAUCET FILL



Extend Hose.
Attach to faucet.
Fill tank.
Return hose to holder.

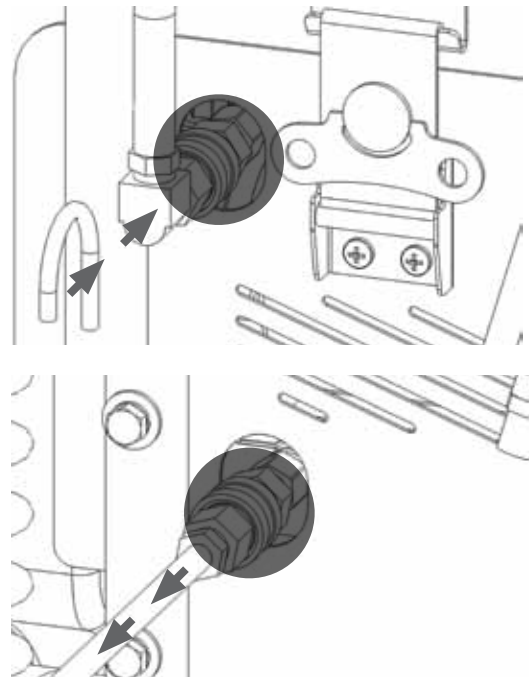
6002 RELEASE LATCH



Detach: Flip-up latch.
Twist counter clockwise
for release.

Attach: Place latch.
Twist clockwise
Press latch to secure.

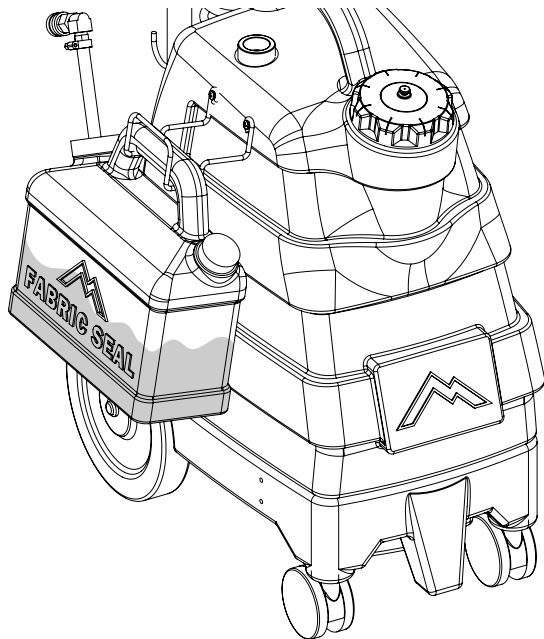
6002 SOLUTION IN/OUT



Solution In: From tank to pump. Connect male quick disconnect to female Q.D.
Solution Out: From pump to high pressure spray gun. Connect male Q.D. to female Q.D.

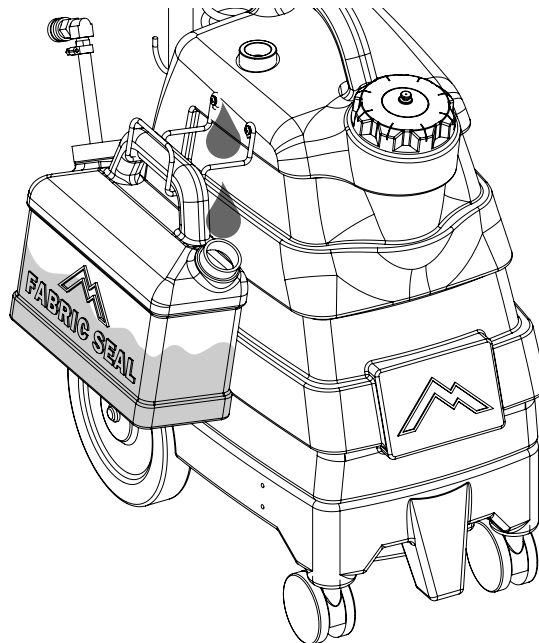
6002 BIG B.O.S.S.™ - SIDEKICK™ SETUP (Sidekick™ sold separately)

SIDEKICK™ ACCESSORY



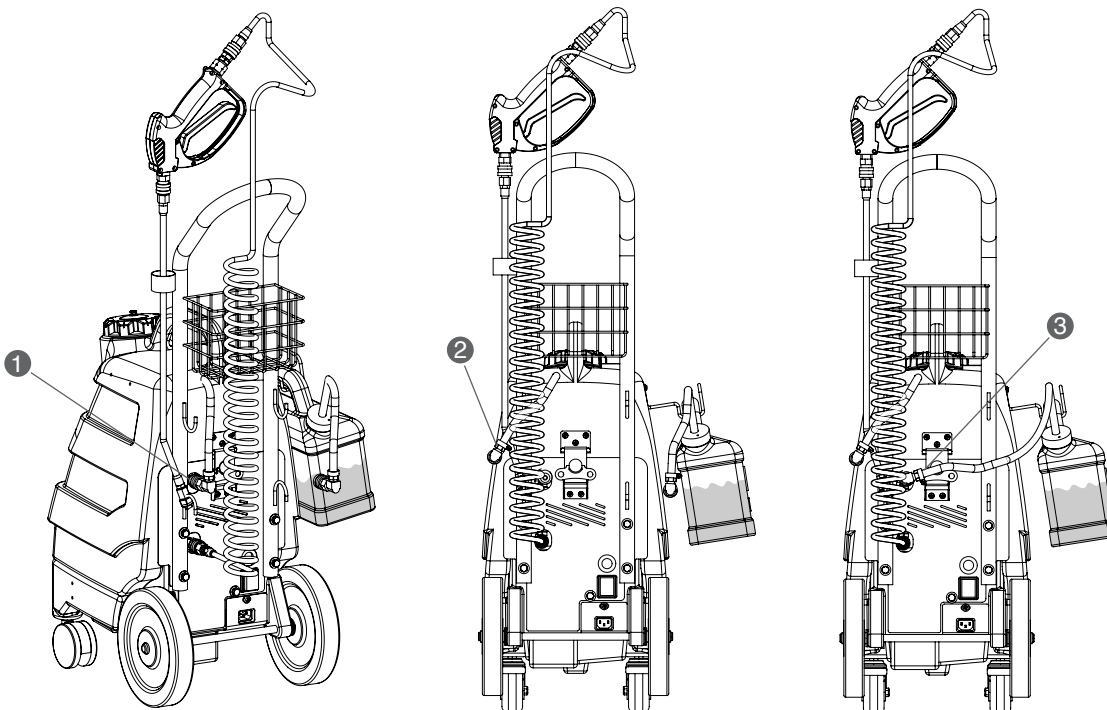
Add chemical to the Sidekick™ keeping your solution tank filled with fresh water.

SIDEKICK™ FILL



To add chemical to the Sidekick™, remove cap and pour desired amount.

6002 ACCESSORY SIDEKICK CONNECTION



1. - Locate solution-in QD. 2. - Remove Big B.O.S.S. solution-in QD. 3. - Connect Sidekick™ spray-in QD.

Dear Customer:

Congratulations on the purchase of your new 6002 Big B.O.S.S.™ As you are already aware, the scene of the equipment world is becoming more high tech, and we at Mytee® Products Inc. strive to keep you on the cutting edge with superior quality and technology.

Keep in mind that your 6002 Big B.O.S.S.™ is a machine, so neglect or abuse will cause unnecessary damage and void the warranty. However with simple maintenance your 6002 will give you quality performance for many years to come.

If warranty questions arise, please consult your user manual or get in touch with your distributor. If you have questions about maintenance, replacing parts or ordering parts, please call an authorized Mytee® Products Inc. Service Center. To see an updated list, visit our website at www.mytee.com

Before you begin cleaning, please read your manual thoroughly.

Sincerely,
Mytee® Customer Care Dept.

Grounding Instructions (for recharging battery)

This machine must be grounded when being recharged. If it should malfunction or breakdown, grounding provides a path of least resistance for electrical shock. This machine is equipped with a cord having an equipment-grounding conductor and grounding plug. The plug must be plugged into an appropriate outlet that is properly installed in accordance with all local code and ordinances. Do not remove ground pin; if missing, replace plug before use.



DANGER

Improper connection of the equipment-grounding conductor can result in a risk of electric shock. Check with a qualified electrician or service person if you are in doubt as to whether the outlet is properly grounded. Do not modify the plug provided with the machine. If it will not fit the outlet, have a proper outlet installed by a qualified electrician.

This appliance is for use on a nominal 120-volt circuit, and has a grounding plug that looks like the plug illustrated in Figure 1 below. A temporary adapter illustrated in Figures 2 and 3 may be used—to connect this plug to a 2-pole receptacle as shown in Figure 2 if a properly grounded outlet is not available. The temporary adapter should be used only until a properly grounded outlet (Figure 1) can be installed by a qualified electrician. The green colored rigid ear, tab or the like extending from the adapter must be connected to a permanent ground such as a properly grounded outlet box cover. Whenever the adapter is used, it must be held in place by a metal screw. Grounding adapters are not approved for use in Canada.

Replace the plug if the grounding pin is damaged or broken.

The Green (or GreenYellow) wire in the cord is the grounding wire. When replacing a plug, this wire must be attached to the grounding pin only.

Extension cords connected to this machine should be 12 gauge, three-wire cords with three-prong plugs and outlets. DO NOT use extension cords more than 50 feet (15 m) long.

Please Note for America use only

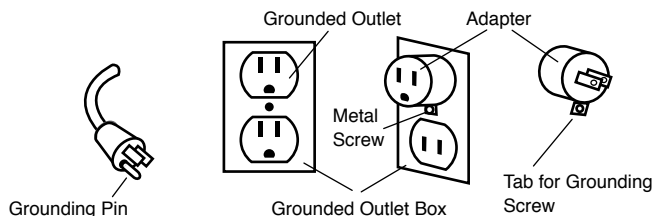


Figure 1

Figure 2

Figure 3

Parts and Service

Repairs, when required, should be performed by Mytee® service personnel or Mytee® authorized Service Center using Mytee original replacement parts and accessories. Call Mytee for repair parts or service. Please specify the Model and Serial Number when discussing your machine.

Name Plate

The Model and Serial Number of your machine are shown on the Nameplate on the back panel of the machine. This information is needed when ordering repair parts

for the machine. Use the space provided on the front cover to note the Model and Serial Number of your machine for future reference.

Unpacking the Machine

When the machine is delivered, carefully inspect the shipping carton and the machine for damage. If damage is evident, save the shipping carton so that it can be inspected by the carrier that delivered it. Contact the carrier immediately to file a freight damage claim.

Caution and Warnings

Symbols

Mytee® uses the symbols below to signal potentially dangerous conditions. Always read this information carefully and take the necessary steps to protect personnel and property.



DANGER

Is used to warn of immediate hazards that will cause severe personal injury or death.



WARNING

Is used to call attention to a situation that could cause severe personal injury.



CAUTION

Is used to call attention to a situation that could cause minor personal injury or damage to the machine or other property. When using an electrical appliance, basic precautions should always be followed, including the following: Read all instructions before using this machine. This product is intended for commercial use only.



WARNING

To reduce the risk of fire, electrical shock, or injury:

1. Read all instructions before using equipment.
2. Use only as described in this manual. Use only manufacturer's recommended attachments.
3. Always unplug power cord from electrical outlet before attempting any adjustments or repairs.
4. Do not unplug by pulling on cord. To unplug, grasp the plug, not the cord.
5. Do not pull or carry by cord. Do not close a door on cord or pull cord around sharp edges or corners.
6. Do not run appliance over cord. Keep cord away from heated surfaces.
7. Do not use with damaged cord or plug. If cord is damaged, repair immediately.
8. Do not use outdoors or on wet surfaces and or standing water.
9. Always unplug or disconnect the appliance from power supply when not in use.
10. Do not allow to be used as a toy. Close attention is necessary when used by or near children.
11. Do not use in areas where flammable or combustible material may be present.
12. Do not leave the unit exposed to harsh weather elements. Temperatures below freezing may damage components and void warranty.
13. Use only the appropriate handles to move and lift unit. Do not use any other parts of this machine for this purpose.
14. Keep hair, loose clothing, fingers, and all parts of the body away from all openings and moving parts.
15. Use extra care when cleaning on stairs.
16. To reduce the risk of fire or electric shock, do not use this machine with a solid-state speed control device.
17. The voltage and frequency indicated on the name plate must correspond to the wall receptacle supply voltage.
18. When cleaning and servicing the machine, local or national regulations may apply to the safe disposal of liquids which may contain: chemicals, grease, oil, acid, alkalines, or other dangerous liquids.
19. Do not leave operating unattended.

Filling the Solution Tank

1. Fill the solution tank with 5 gallons of cleaning solution.
2. Do not fill up the solution tank completely: 1" should be left free at the top.
3. Typically, the solution should be a mixture of water and a cleaning chemical appropriate for the type of job.
4. Always follow the dilution instructions on the chemical container label.
5. The temperature of the cleaning solution must not exceed 70°C/160°F.



CAUTION

Use only non-flammable liquid in this machine.

After Use

1. Turn master switch OFF.
2. Empty solution tank and rinse it with clean water.
3. Inspect hoses and replace if damaged.
4. Inspect solution filter. Clean or replace if damaged.
5. Store the machine in a clean, dry place.

Charging

Flip switch to **OFF** and plug in to a 15 volt outlet.

Maintenance Schedule

Maintenance item	Daily	Once a week
Clean and inspect Tanks	x	
Clean and inspect Hoses	x	
Check filters	x	
Check power supply cable	x	
Check spray nozzles		x

Replacement

B301 Lance
 B258A Jets
 5033 Tether Cap
 H688 Push Handle
 C391 Pump
 B302 Jet Housing
 H540 Gun
 AH107 Coil Hose
 E385 Battery
 E386 Charger
 E516 Switch
 B259 Quick Disconnect
 B259A Quick Disconnect
 B260 Quick Disconnect
 B260A Quick Disconnect

Trouble Shooting

There is no power. Weak pressure.

1. Battery needs to be charged.
2. Obstruction or blockage in the solution line.
3. Check jets and filters for debris.
4. Bad switch.

Accessories

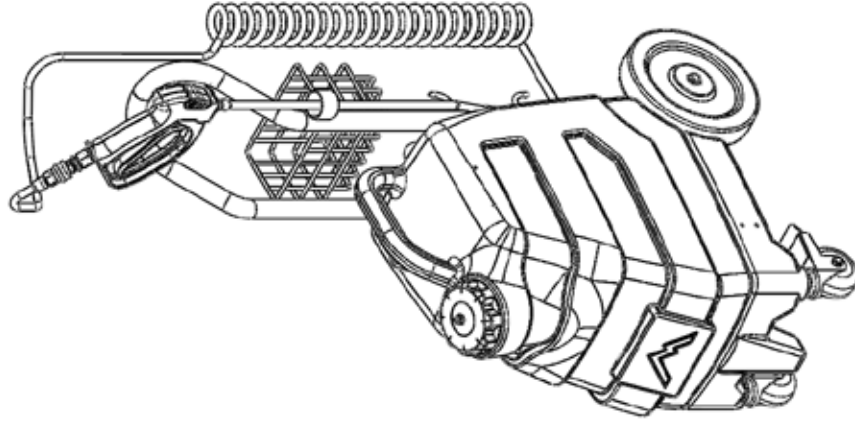
P532 Sidekick

6002 BIG B.O.S.S.™ PARTS & PRICING

ITEMS NOT SHOWN

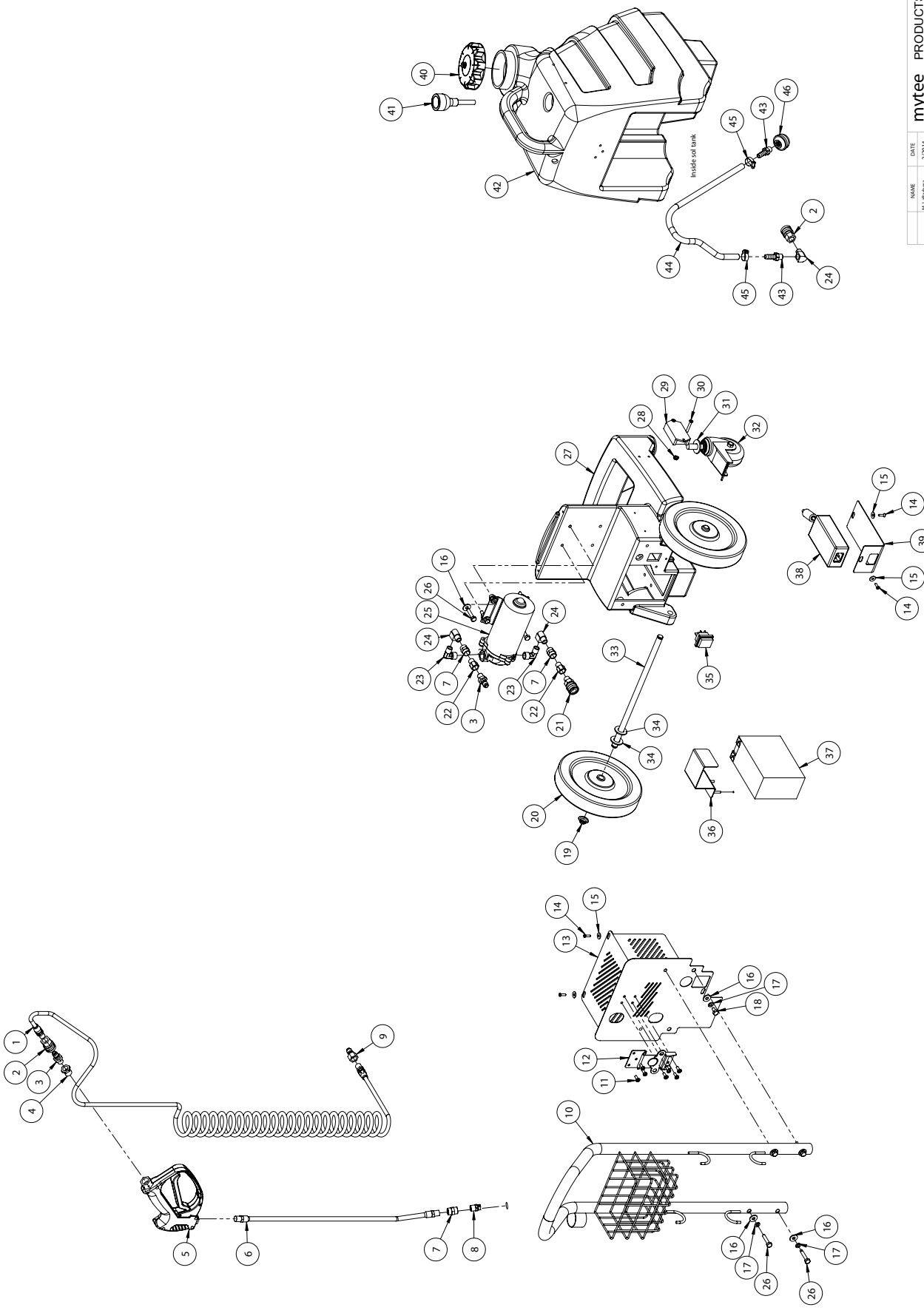
PART NO.	DESCRIPTION	QTY.	MSRP
AD125	stop sign, register your product	1	
ADM-6002	manual, big boss	1	
PH612-48	tubing, pvc, 1/2" O.D. x 3/8" ID	1	\$1.99/ft
G085	gasket, strip, 3/4" x 36" x 1/8"	1	\$4.99 ea
H423	plug, 7/8", black, heyco	2	\$0.99 ea

ITEM NO.	PART NO.	DESCRIPTION	QTY.	MSRP
1	AH107	sol hose, black coil 15' 1/4" m x 1/4" m	1	\$55.99 ea
2	B259A	qd, brass, 1/4" fqd x fpt	2	\$15.99 ea
3	B260A	qd, brass, 1/4" mqd x fpt	2	\$8.99 ea
4	B105	bushing, brass, 3/8" mpt x 1/4"	1	\$3.19 ea
5	H540	gun, high pressure, (batt spray/ counter)	1	\$41.99 ea
6	H171	lance, s/s, 20" w/bend, inj sprayer	1	\$40.99 ea
7	B142A	coupling, brass, 1/4" fpt x 1/4" fpt	3	\$4.49 ea
8	B258	v jet, brass, 6506, 1/4 male thread	1	\$6.25 ea
9	B260	qd, brass, 1/4" mqd x fpt	1	\$10.49 ea
10	H688	handle, w/basket w/tube ring	1	\$61.99 ea
11	H230	screw, 10-32 x 1/2", phil pan head, s/s	7	\$0.99 ea
12	H486	latch, front	1	\$13.99 ea
13	H773	plate, cover, back, boss	1	\$47.99 ea
14	H304	screw, #8 x 5/8 phil oval, s/s	4	\$0.99 ea
15	H289B	washer, #10 flat, black	4	\$0.99 ea
16	H210	washer, 1/4" flat, s/s	9	\$0.99 ea
17	H213	washer, 1/4" lock, s/s	5	\$0.99 ea
18	H201	bolt, 1/4-20 x 1/2", hex head, zinc	1	\$0.99 ea
19	H219	cap, axle, 1/2"	2	\$0.99 ea
20	H239	wheel, 8"	2	\$28.99 ea
21	B259	qd, brass, 1/4" fqd x mpt	1	\$11.99 ea
22	B111	adapter, brass, extender, 1/4" mpt x 1/4" fpt, hex	2	\$3.49 ea
23	B652	elbow, brass, 90 deg, 3/8" mpt x 1/4" mpt	2	\$8.49 ea
24	B103	elbow, brass, 90 deg, 1/4" mpt x 1/4" fpt	3	\$4.49 ea
25	C391	pump, 60psi, 12V, 1, GPM	1	\$136.99 ea
26	H203	bolt, 1/4-20 x 1-1/4"	8	\$0.99 ea
27	P545	chassis, big boss	1	\$27.99 ea
28	H273	nut, kep, #10-32 zinc	2	\$0.99 ea
29	E388	controller, battery status	1	\$46.99 ea
30	H185	screw, 10-32 x 1 1/4", phil flat full thread	2	\$0.99 ea
31	H876	washer, 1/2" flat, s/s	2	\$0.99 ea
32	H240	caster, swivel, stem, 3" w/lock	2	\$9.99 ea
33	H228	axle, 13.10" x .50" dia	1	\$9.99 ea
34	H212	flat washer, 9/16" ID x 1 1/16" OD	4	\$0.99 ea
35	E515	switch, rocker, 2 position	1	\$13.99 ea
36	H776	bracket, brace, battery, boss	1	\$4.99 ea
37	E385	battery, 12V, 10AH, battery sprayer	1	\$36.99 ea
38	E386	charger, 12V, w/cord battery sprayer	1	\$92.99 ea
39	H772	cover, charger, boss	1	\$7.99 ea
40	G033	cap, tethered, vented, 3.5"	1	\$5.99 ea
41	H178	faucet fill	1	\$10.99 ea
42	P544	tank, big boss	1	\$58.99 ea
43	B241	adapter, brass, 3/8" barb x 1/4" mpt	2	\$1.99 ea
44	PH715-37	sol hose, 3/8" kuri 150psi	1	\$7.99/ft
45	H347	clamp, hose, 5/16-29/32	2	\$1.99 ea
46	B119	filter, strainer, 1/4"	1	\$3.99 ea



DATE	2/2014	mytee	PRODUCTS, INC.
NAME	M. L. Laska	608-825-1171	
DRAWN	CHECKED	TITLE:	
PROPERTIES AND COMMENTS: DRAWING IS THE SOLE PROPERTY OF MYTEE PRODUCTS, INC. ANY REPRODUCTION OR REUSE IN ANY FORM OR MANNER WITHOUT THE WRITTEN PERMISSION OF MYTEE PRODUCTS, INC. IS PROHIBITED.			
SIZE	DWG. NO.	Big Boss	
C	6002		
SCALE: 1:4	SHEETING	SHEET 1 OF 3	

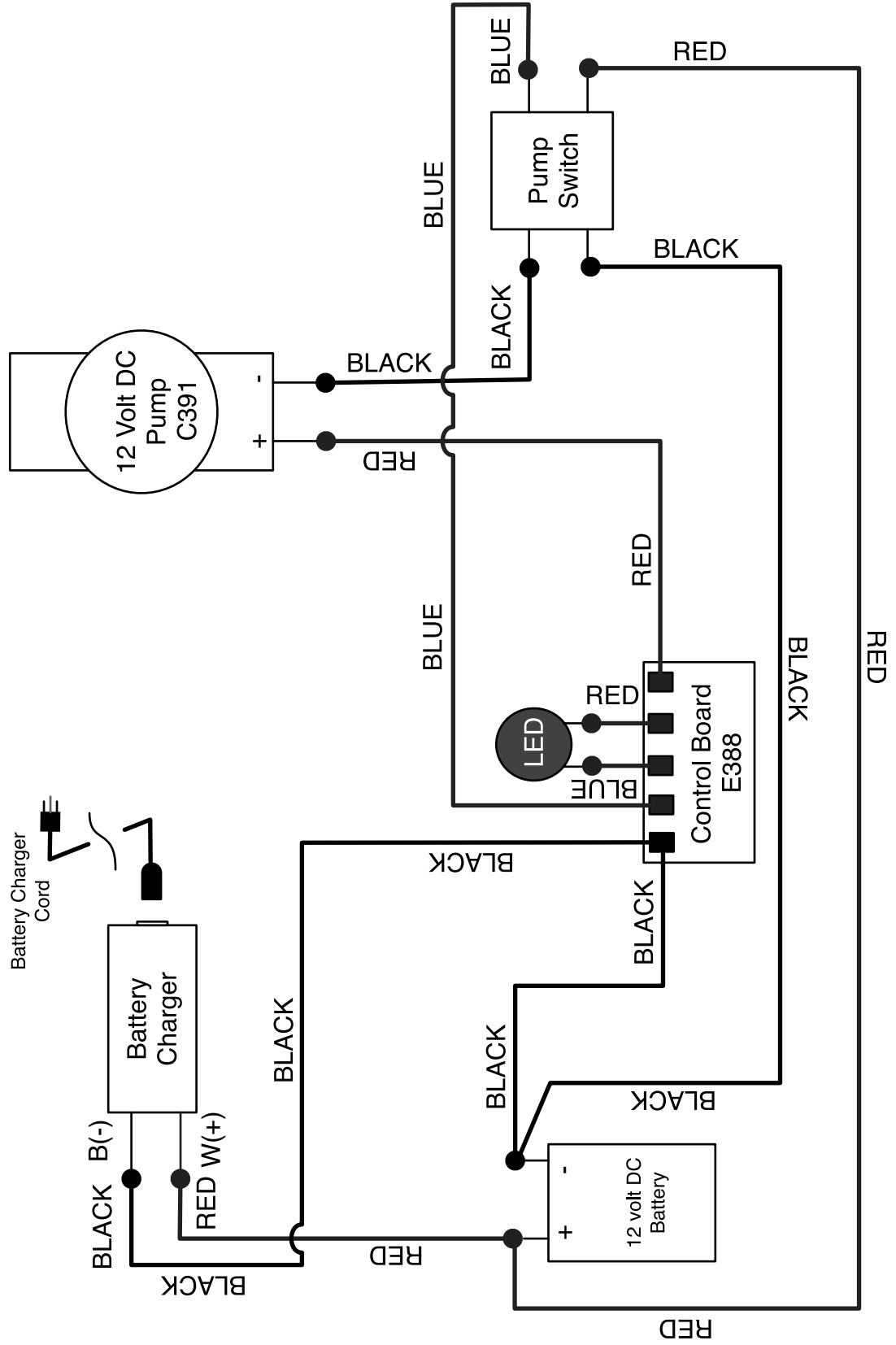
6002 BIG B.O.S.S.™ PARTS & PRICING



mytee	PRODUCTS, INC.
6002 (B.O.S.S.)	
TITLE:	
DATE	2/2014
NAME	M. L. L. L.
DRAWN	
CREATED	
SIZE	DWG. NO.
C	6002
SCALE	1:6
REV	B
SHEET	2 OF 3

PROTECTIVE AND COMMERICAL
 INFORMATION CONTAINED IN THIS
 DRAWING IS THE SOLE PROPERTY OF
 MYTEE PRODUCTS, INC. AND IS TO BE
 REPRODUCED IN WHOLE OR IN PART
 WITHOUT THE WRITTEN PERMISSION OF
 MYTEE PRODUCTS, INC. IS
 PROHIBITED.

6002 - Battery Sprayer



NOTES

NOTES



Mytee® Products Inc.
13655 Stowe Dr.
Poway, Ca. 92064
www.mytee.com

© 2015 Mytee® Products Inc.
Printed in the U.S.A.